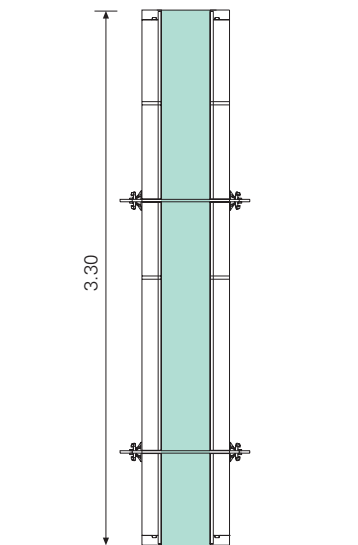


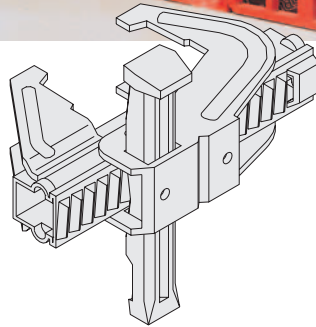
TRIO 330



The framed panel formwork for heights of up to 3.30 m



2 ties up to 3.30 m



TRIO 330

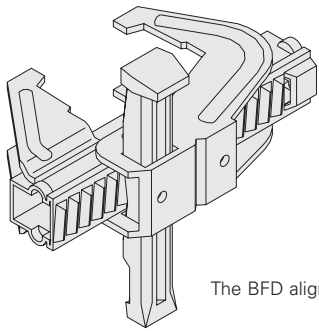
The framed panel formwork for floor heights up to 3.30 m

TRIO 330 is an independent formwork system with only 6 panel sizes.

TRIO 330 has a symmetrical and asymmetrical tie arrangement; enabling ties to be placed horizontally or vertically. Incorrect erection is eliminated.

TRIO 330 only requires one part for all connections: the **BFD** alignment coupler.

(German acronym for fastening, aligning and tightening)



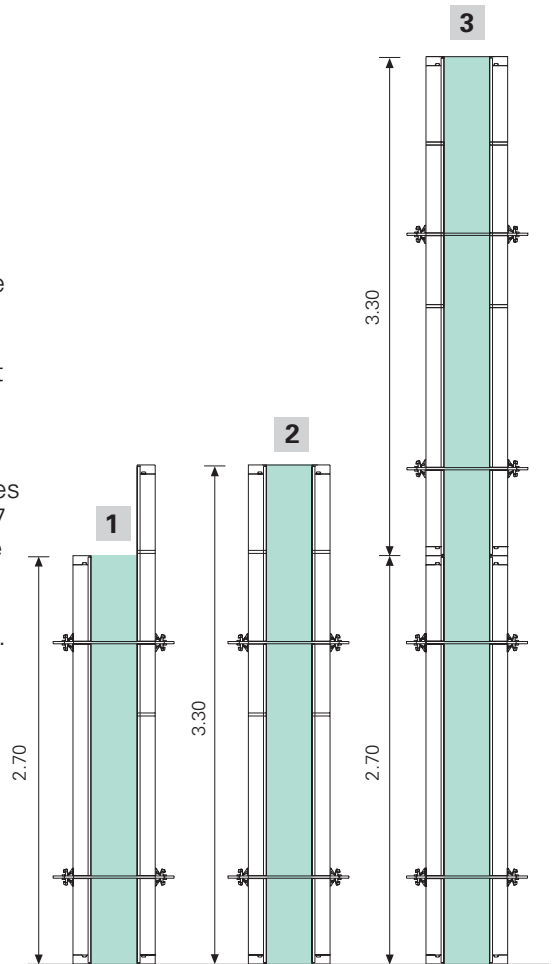
The BFD alignment coupler

1 TRIO 330 and TRIO 270 can be used opposite each other.

2 TRIO 330 provides for the best surface finishes with the highest fresh concrete pressure. *With only 2 ties in a height of up to 3.30 m TRIO 330 complies with DIN 18202, Table 3, Line 7 under a fresh concrete pressure of 82.5 kN/m².

3 TRIO 330 can also be extended. The symmetrical tie arrangement ensures correct tie alignment, eliminating faulty erection.

*These values were calculated according to the guidelines for issuing seals of approval for framed panel formwork by the seal of approval protection association for concrete formwork e.V. GSV.

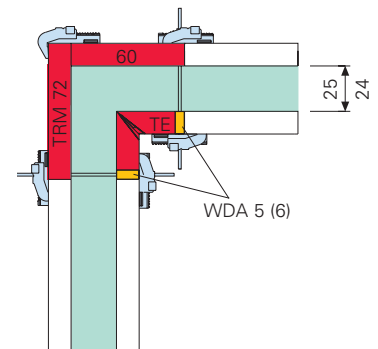
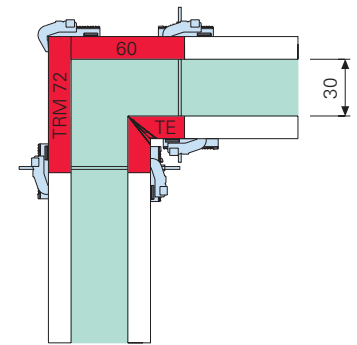


TRIO 330
Clearly visible:
Only 2 ties are required for concreting heights of up to 3.30 m.

13.20 m high wall with
4 x 3.30 m TRIO panels.

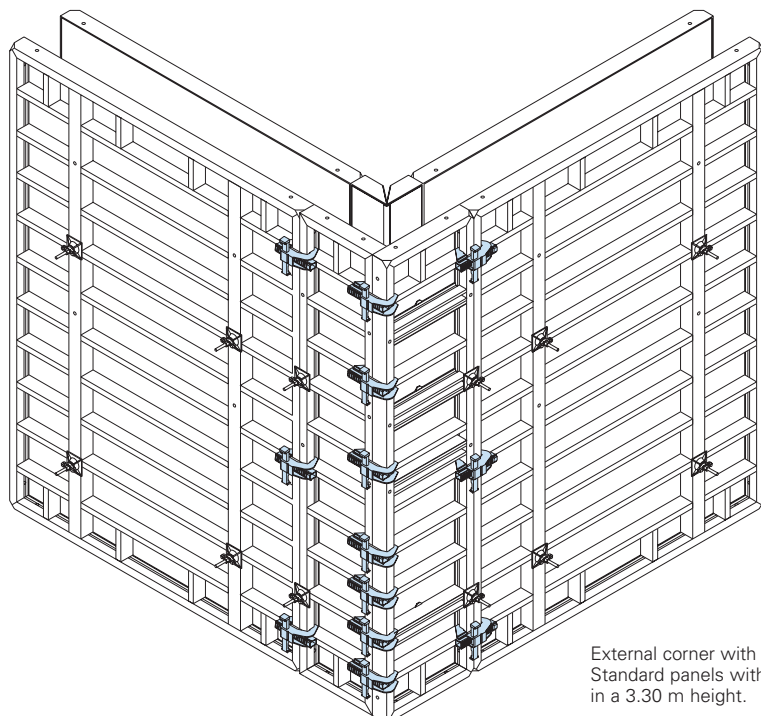


Detail solutions as for TRIO 270
e.g. external corners



Accessories such as the BFD alignment coupler, compensation waling, scaffold brackets etc., are the same as for TRIO 270.

TRIO 330 also has all the advantages of TRIO 270, such as: powder coating, connection of struts all round, closed sections etc.

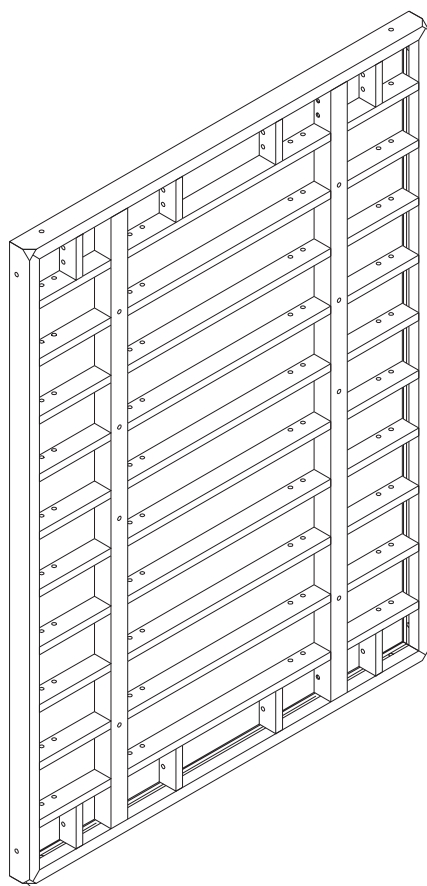


External corner with 7 BFD couplers.
Standard panels with 3 BFD couplers
in a 3.30 m height.

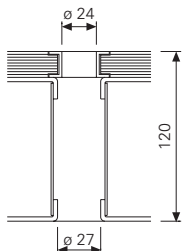
TRIO Steel Panels, h = 3,30m

Weight kg	Item no.
398,00	054304

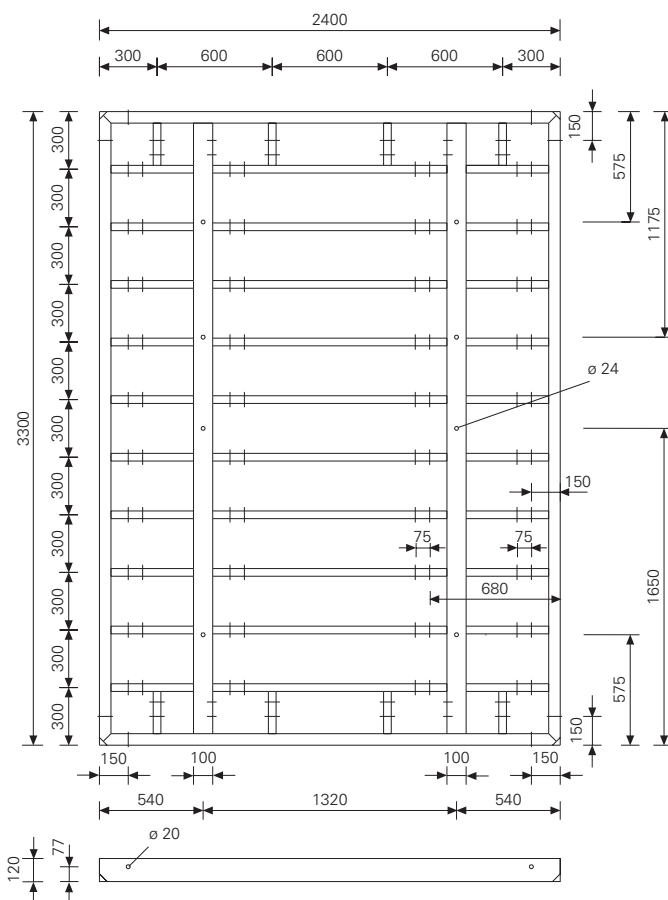
Panel TR/4 330x240 = 7,92m²
Fitted with 18mm Finply formlining.



Levering corner

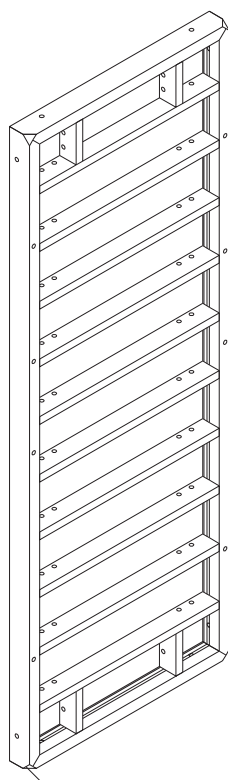


Detail:
The tapered tie hole allows the tie to be angled at 6° in any direction.

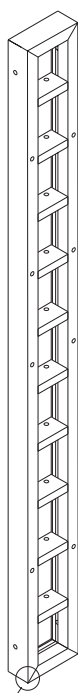


Panel TR/4 330x120 = 3,96m²
Panel TR/4 330x 30 = 0,99m²
Fitted with 18mm Finply formlining.

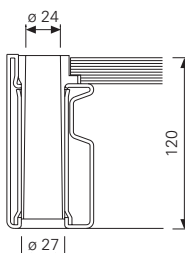
192,00	054314
64,90	054364



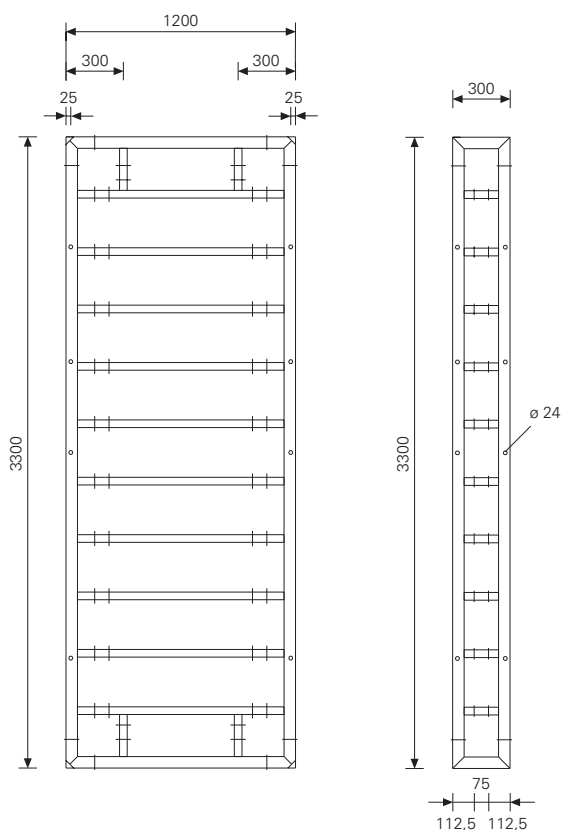
Levering corner



Also with levering corner as from the year 2002



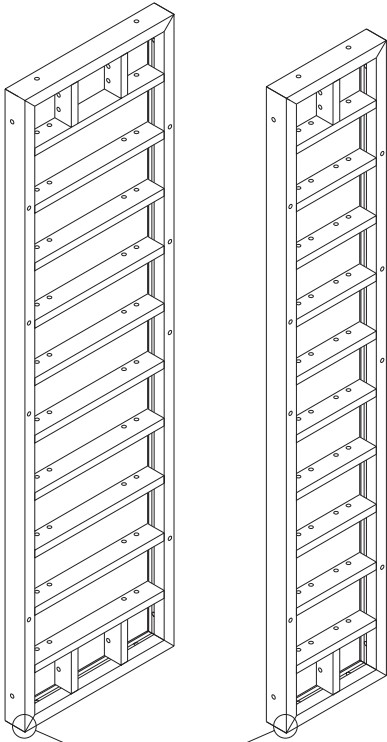
Detail:
The tapered tie hole allows the tie to be angled at 6° in any direction.



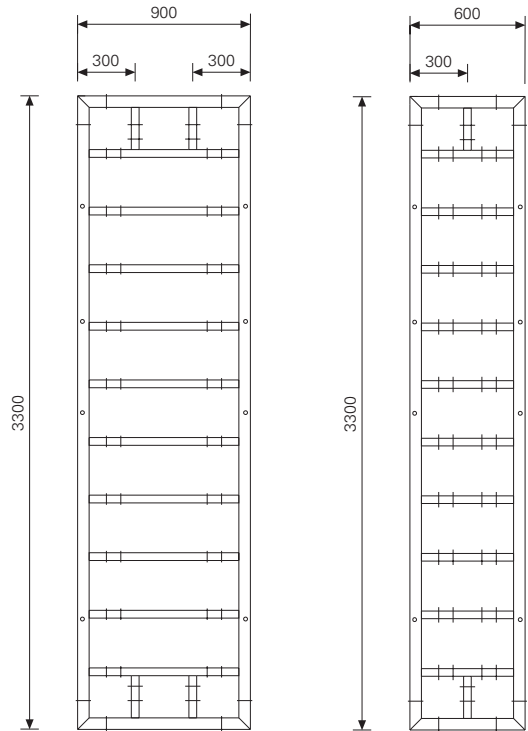
Weight kg	Item no.
-----------	----------

Panel TR/4 330x90 = 2,97m²
Panel TR/4 330x60 = 1,98m²
 Fitted with 18mm Finply formlining.

135,00	054324
97,40	054354

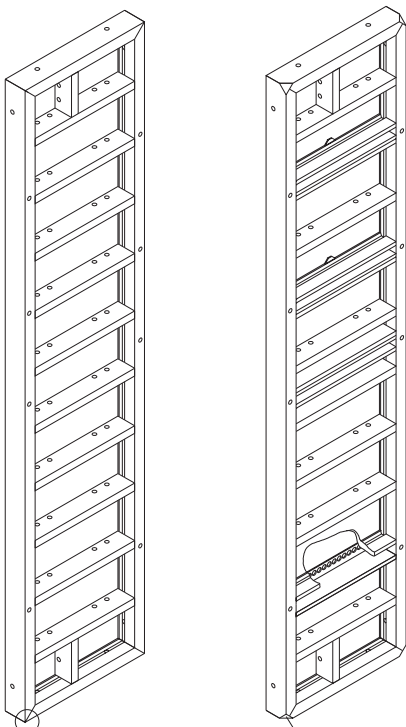


Also with levering corner as from the year 2002

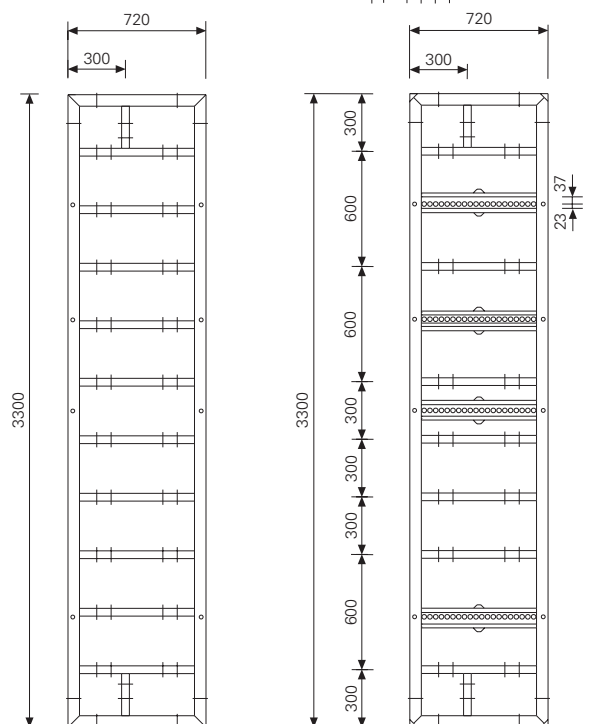
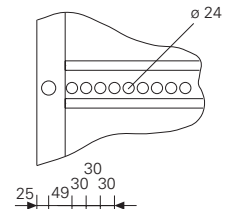


Panel TR/4 330x72 = 2,38m²
Multi Panel TRM/4 330x72 = 2,38m²
 For external corners, for oblique angles, wall junctions, stopends etc..
 Fitted with 18mm Finply formlining.
 Complete with:
 Plug ø 20/24 (88x).

108,00	054334
122,00	054344



Also with levering corner as from the year 2002 Levering corner



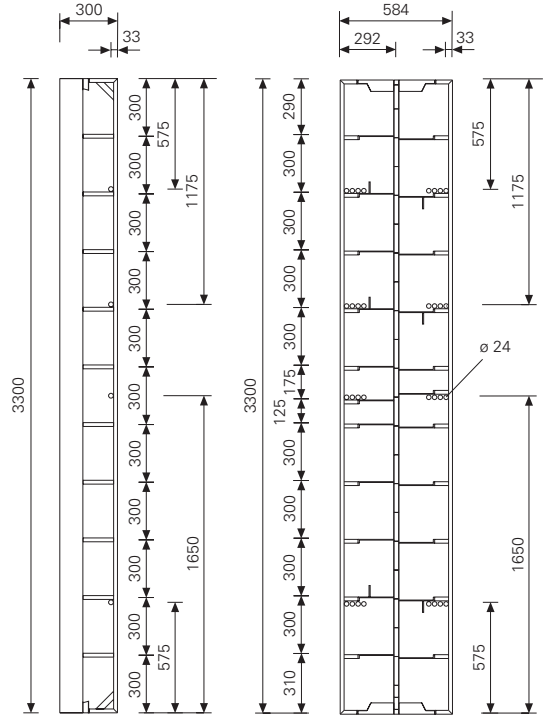
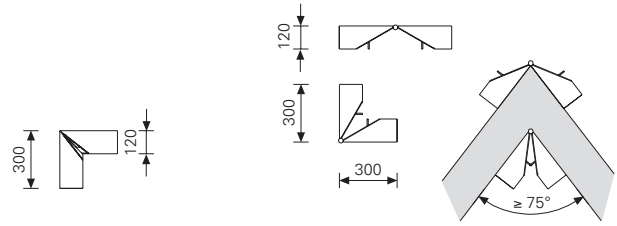
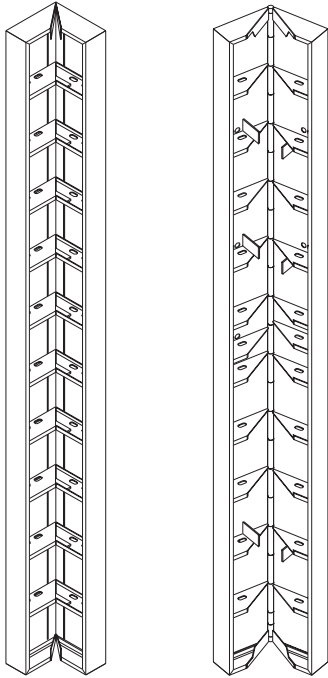
Weight kg Item no.

Inside Corner TE/4 330 = 1,98m²
For 90° inside corners.
Fitted with 18mm Finply fomlining.

86,10 054374

Articulated Corner TGE/4 330 = 1,98m²
For oblique angles from 75°, used internally and externally.
Fitted with steel formlining.

121,00 054414



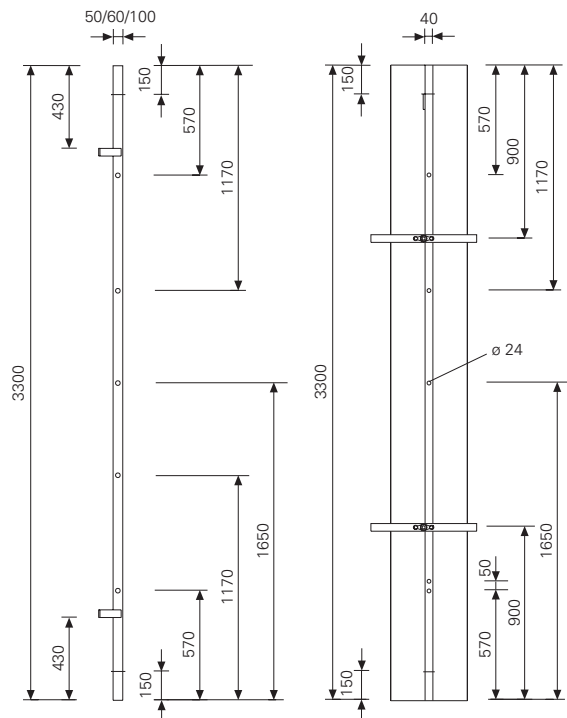
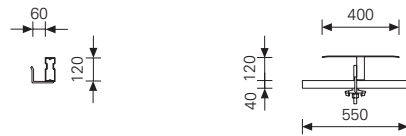
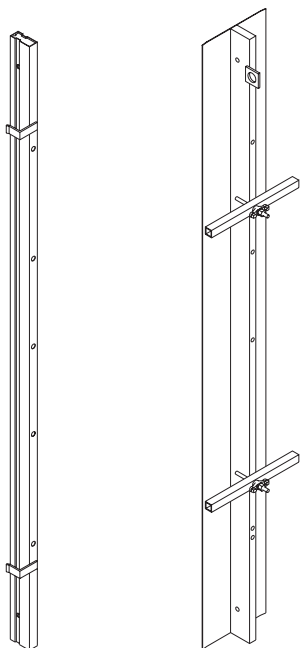
TRIO Wall Thickness Compensation WDA
For wall thickness compensation in corner areas.

WDA-2 330/5 = 0,17m²
WDA-2 330/6 = 0,20m²
WDA/4 330/10 = 0,33m²

20,10 054391
21,20 054401
12,40 054435

Filler Plate LA/4 330x36 = 1,19m²
Closes any gap from 60 to 360mm.

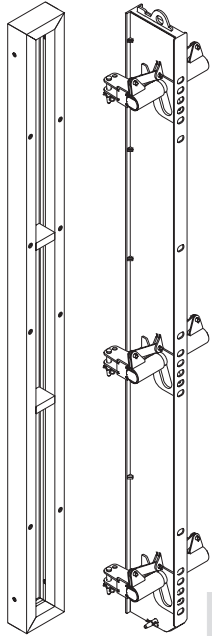
62,20 054384



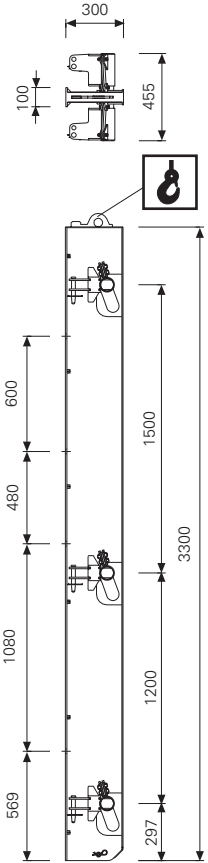
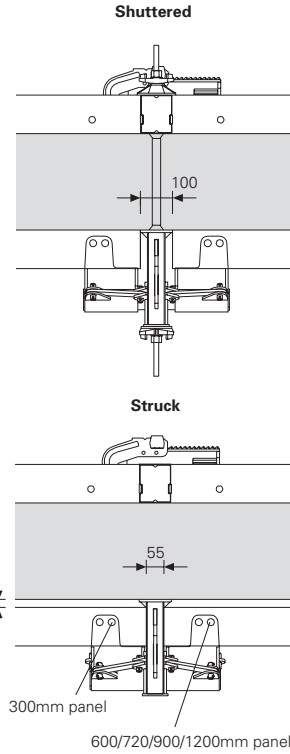
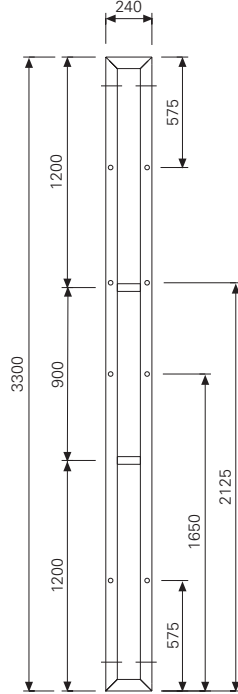
Weight kg	Item no.
53,80	023050
140,00	105525

Stopend Panel TR/4 330x24 = 0,65m²
 For 240mm thick walls.
 Can also be used as a wall panel.

Shaft Panel TSE 330 = 0,33m²
 For lifting complete internal formwork
 to shafts. Height extendable.
 Complete with:
 Pin 20x140, galv. and
 Cotter Pin 4/1 (7x/5x).



Load-bearing point
 Permissible load: 2000kg



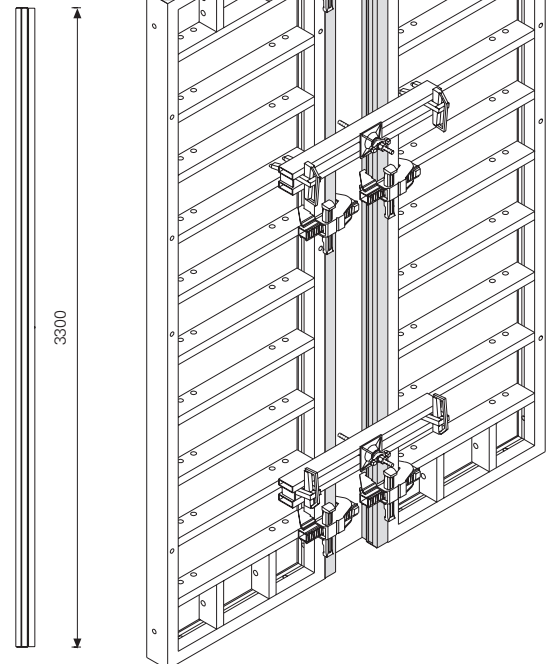
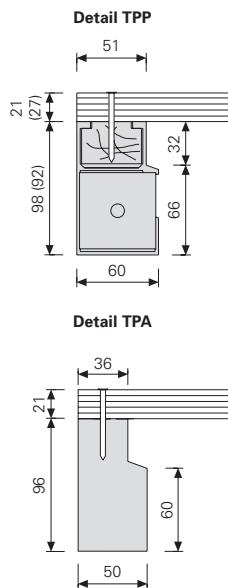
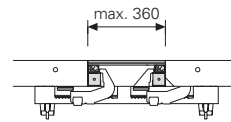
Filler Support
 With nailing strip.
 For filling gaps with
 21mm (27mm) plywood.

TPP 330
TPP 330/27

9,87	101829
9,17	101846

Filler Support TPA 330
 Coniferous timber.
 For infilling with 21mm plywood filler.

7,10	054430
------	--------



The PERI Range

Panel Formwork

TRIO, TRIO-L, TRIO 330
Versatile panel system

TRIO-H

REPLIABLE

DOMINO

Light weight panel system

HANDSET

The "one man" panel system



Column Formwork

RAPID

Alu column formwork

TRIO

Column formwork

QUATTRO

The fast column formwork

PERI SRS

Circular column formwork

Girder Wall Formwork

VARIO GT 24

Wall, column formwork

RUNDFLEX and GRV

Circular formwork

FTF

Facade formwork



Girder Slab Formwork

MULTIFLEX

Girder slab formwork

**UNIPORTAL /
Table Modules**

Table form

PD 8

1 system for 3 applications

Shoring Systems

ST 100

Stacking tower

HD 200

Heavy duty prop

PERI MULTIPROP

The Alu prop

PERI PEP Prop

PEP = PERI EURO-PROP



Platform Systems

Folding Platform FB 180

Universal working and protective scaffold to DIN 4420

ASG 160

The light platform system for building trades

Climbing Formwork

KG and CB

Climbing systems

ACS

Self climbing formwork

SKS and SSC

Single sided climbing formwork



Alu-Slab Formwork

PERI SKYDECK

Alu slab formwork system

Scaffolding

UPT 70 / T 100

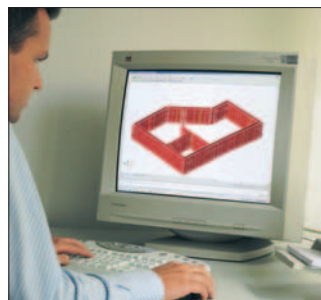
Frame scaffolding

UP Rosett

Modular scaffolding

UP Rosett

Shoring



Further Systems

Software for formwork and scaffolding planning

Plywood

Site equipment

Brace frames

Formwork accessories

Custom forms

PERI GmbH

P.O. Box 12 64

89259 Weissenhorn

Tel.: 0 73 09 / 9 50 -0

Fax: 0 73 09 / 9 51 -0

info@peri.de

www.peri.de